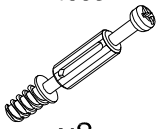
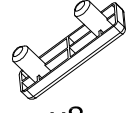


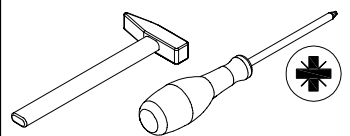


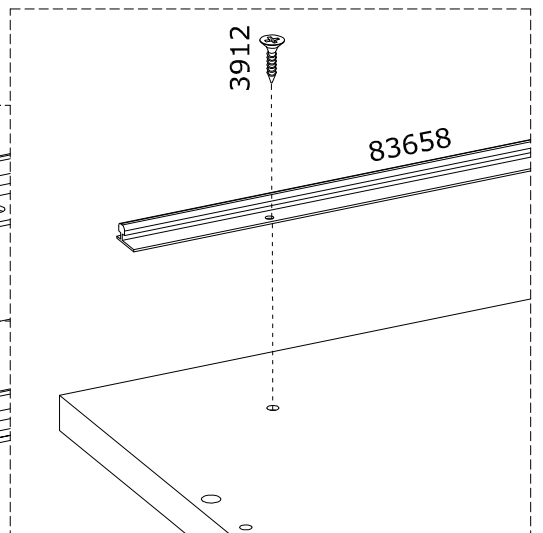
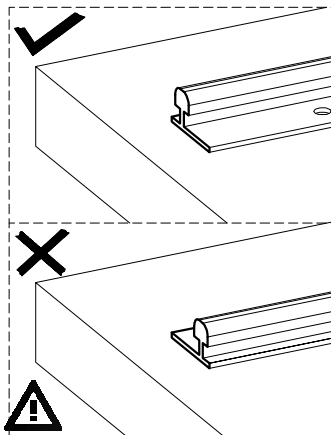
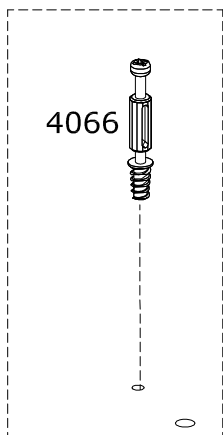
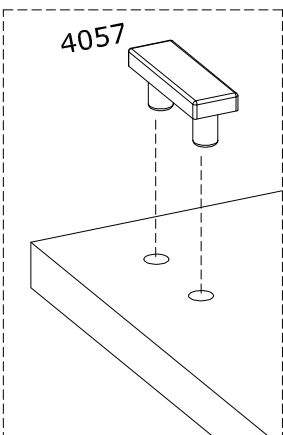
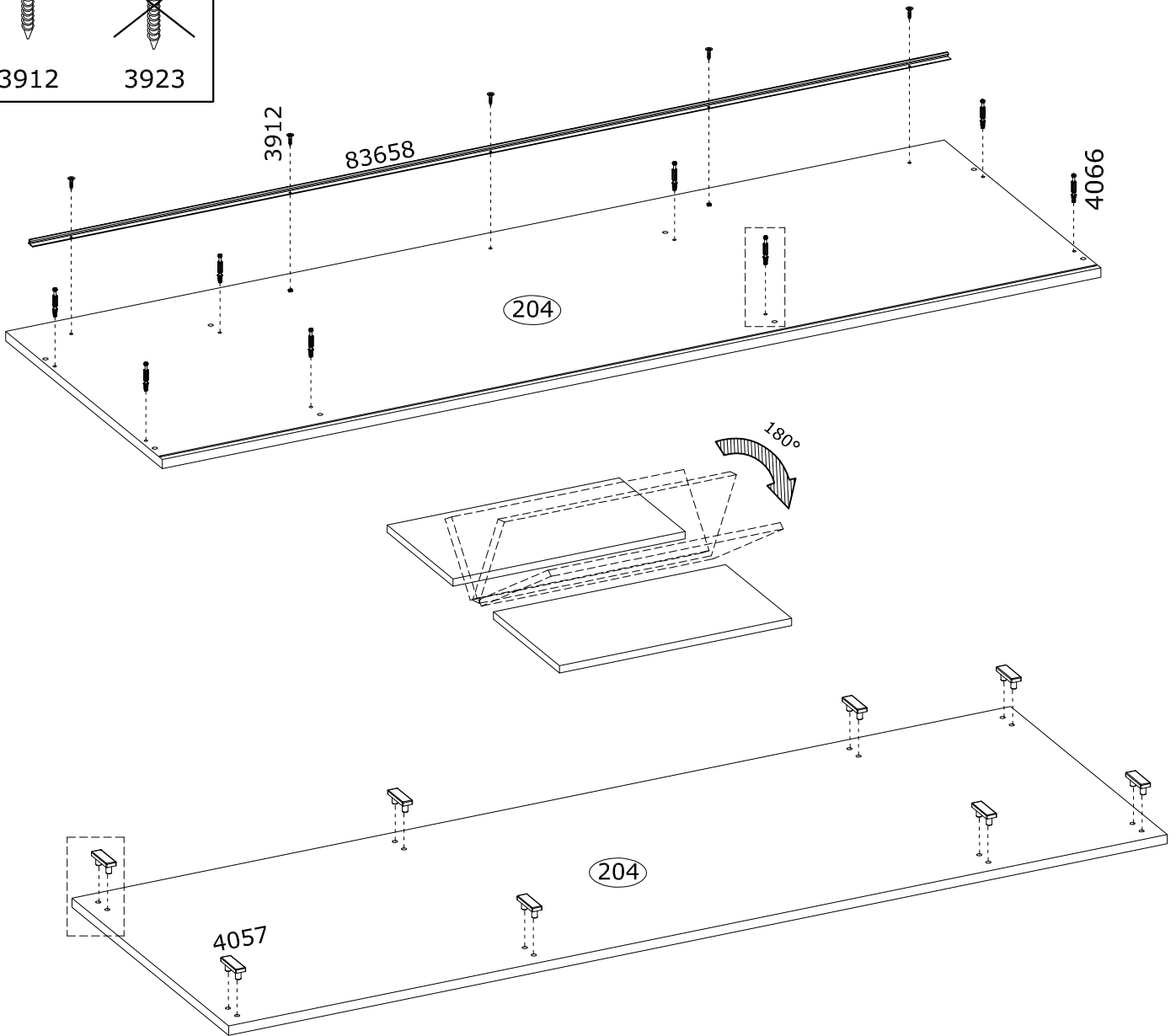




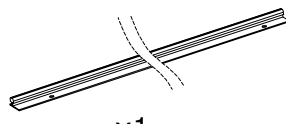
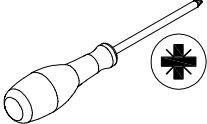
1



4066  x8	4057  x8	3912  x5	83658  x1	
---	---	---	---	---

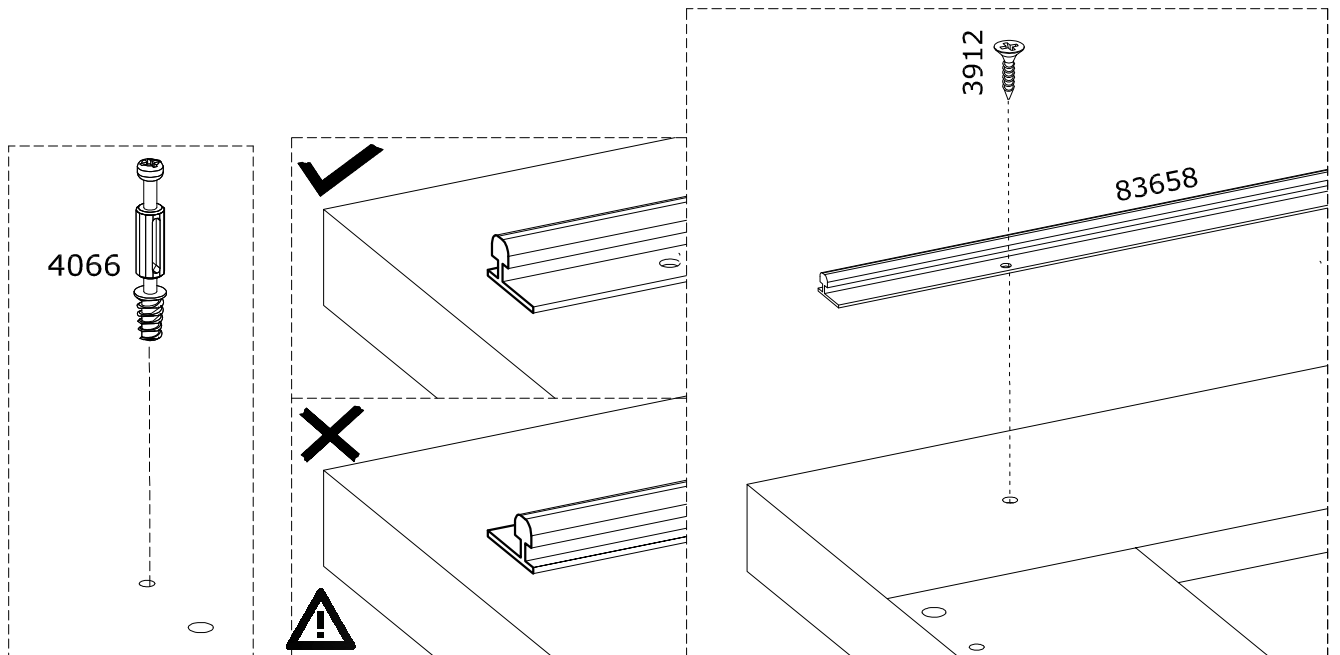
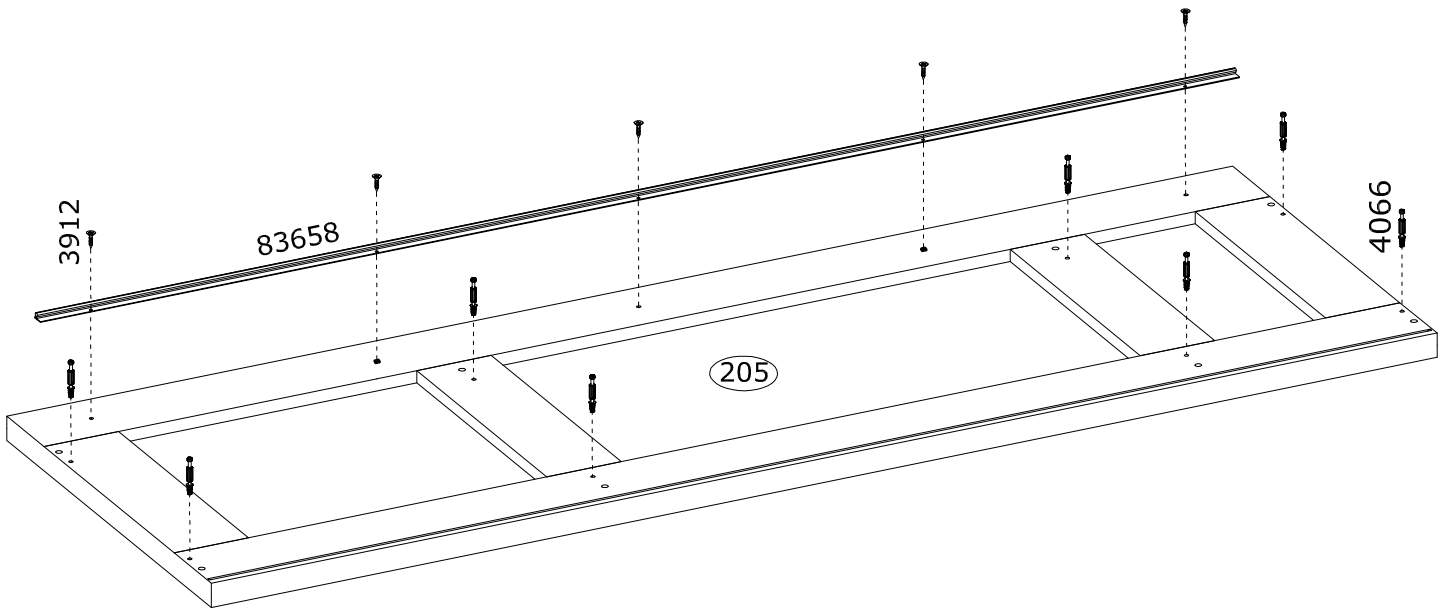
$\varnothing 3,0 \times 13 \text{ mm}$  3912	$\varnothing 4,0 \times 16 \text{ mm}$  3923
---	---



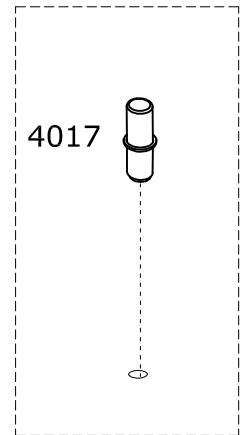
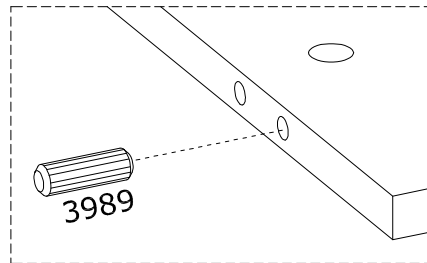
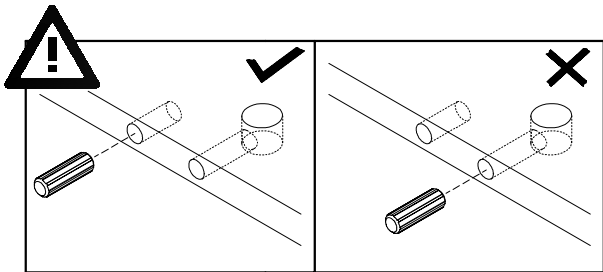
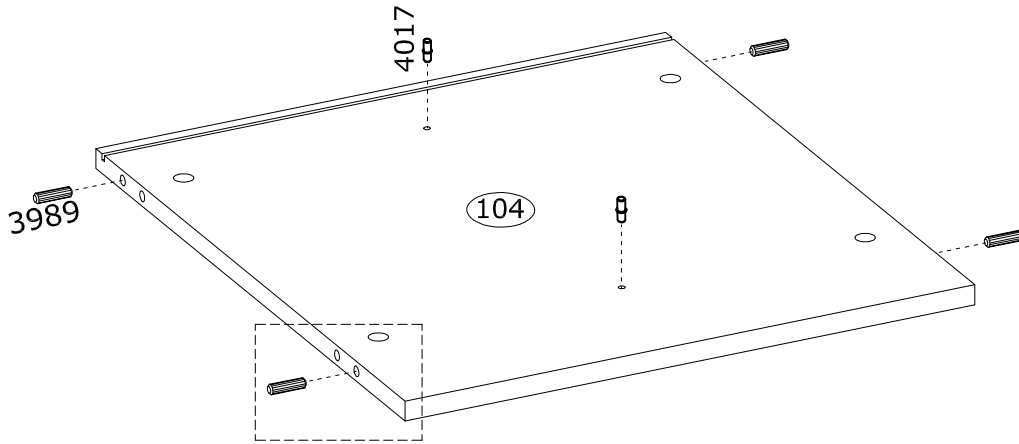
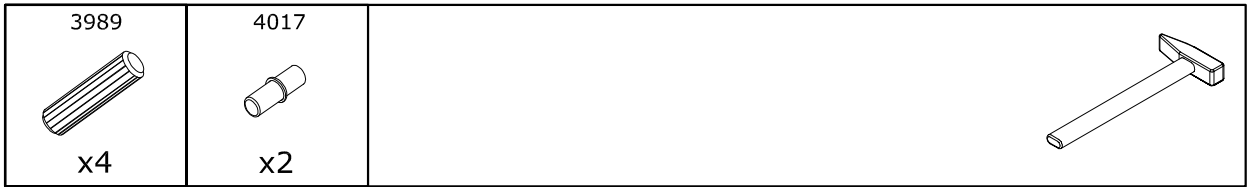
2

4066  x8	3912  x5	83658  x1	
---	---	--	---

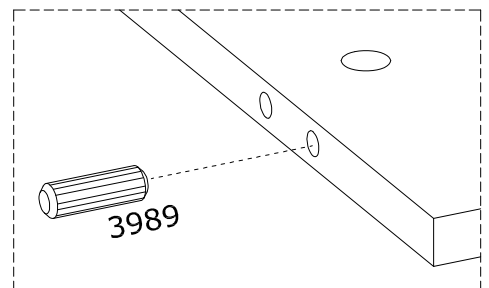
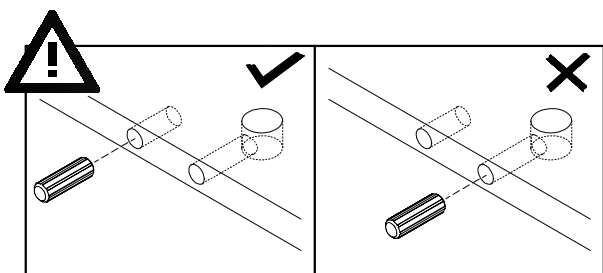
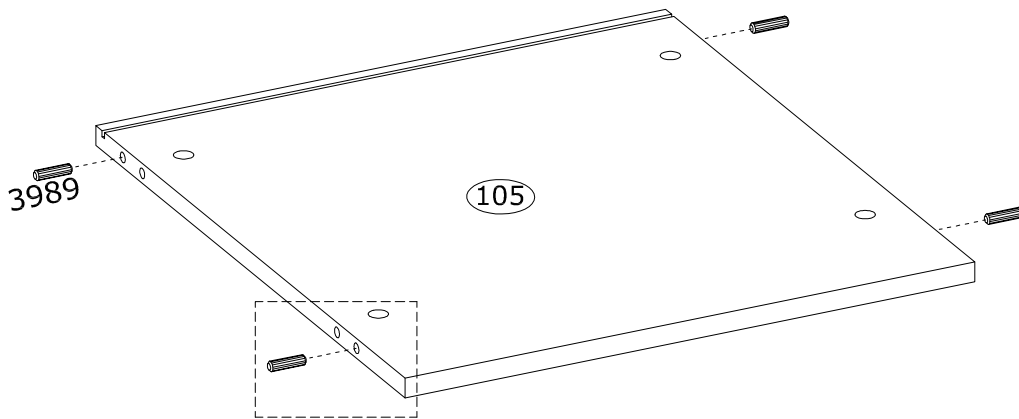
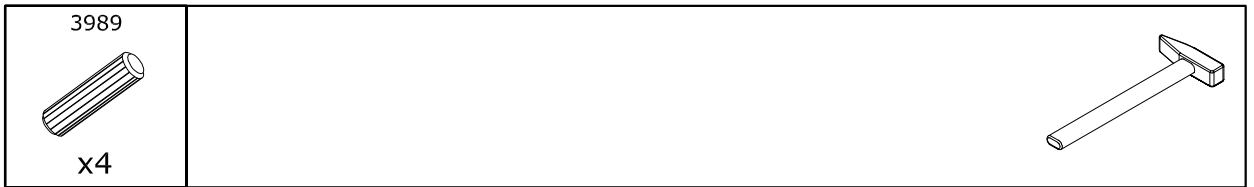
Ø3,0x13 mm  3912	Ø4,0x16 mm  3923
---	---



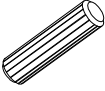
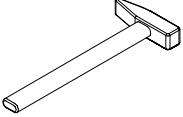
3

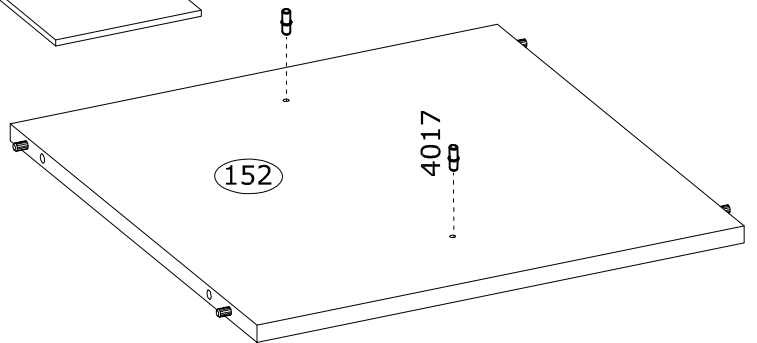
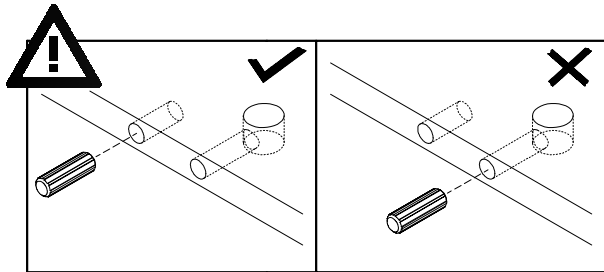
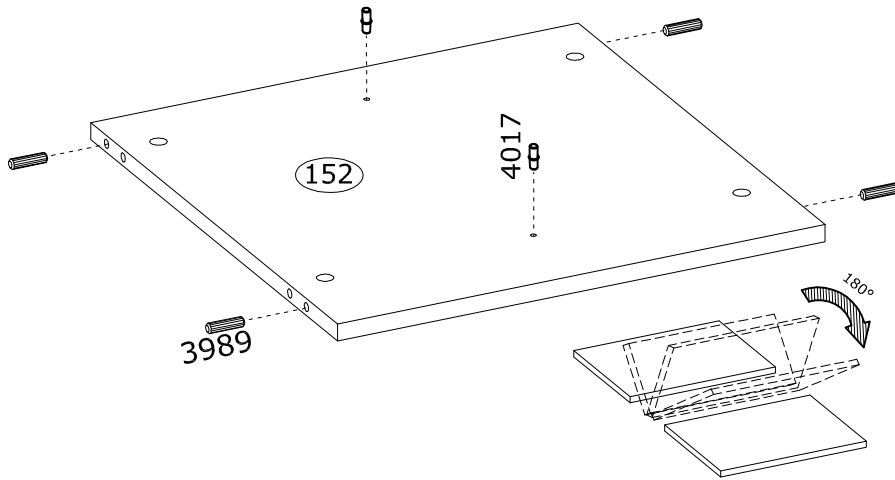


4

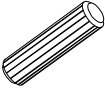

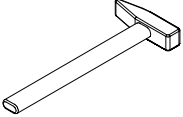


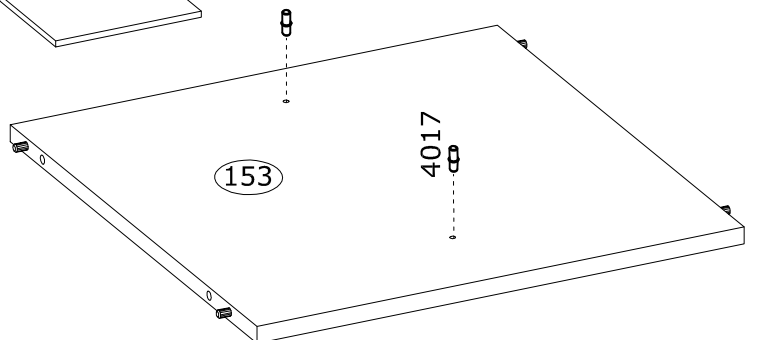
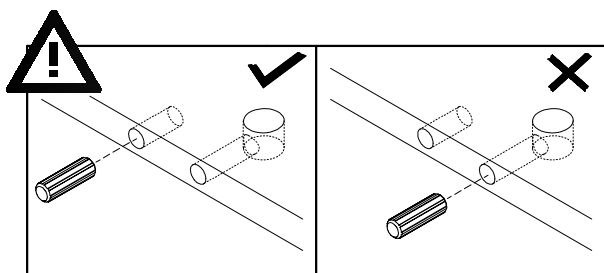
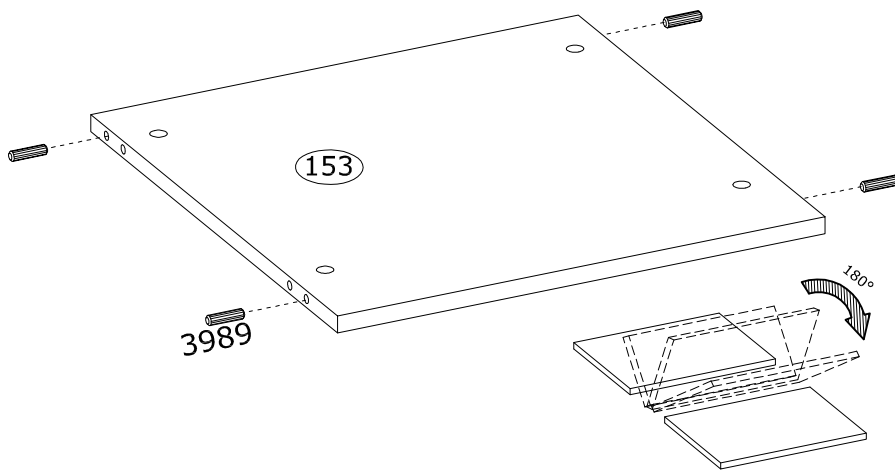
5

3989  x4	4017  x4	
---	---	---



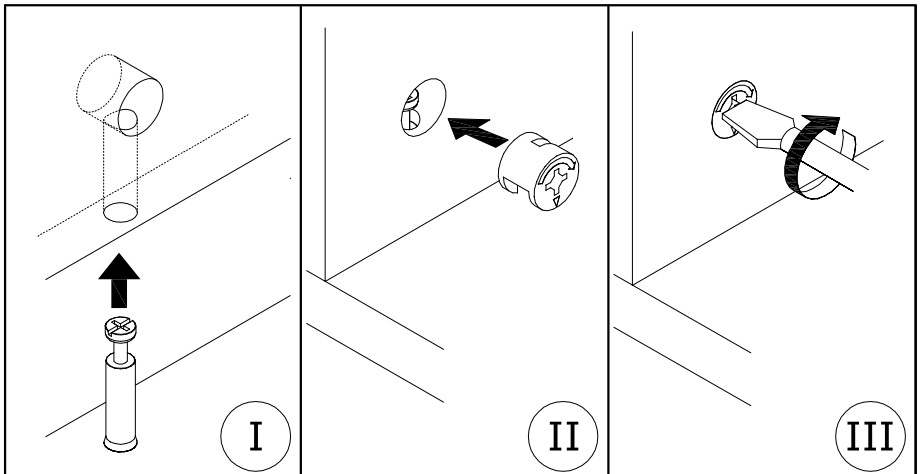
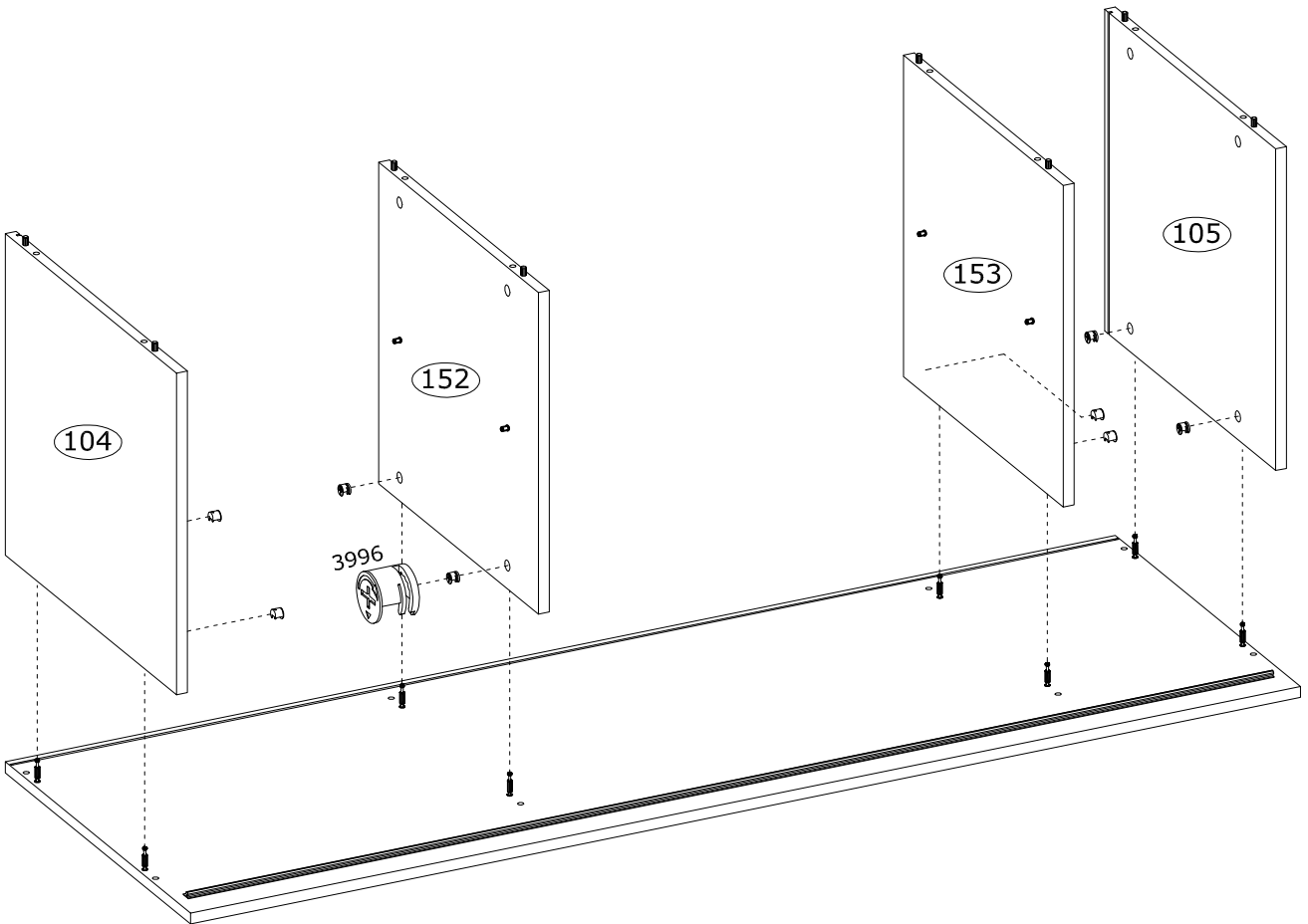
6

3989  x4	4017  x2	
---	---	---


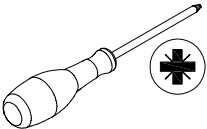


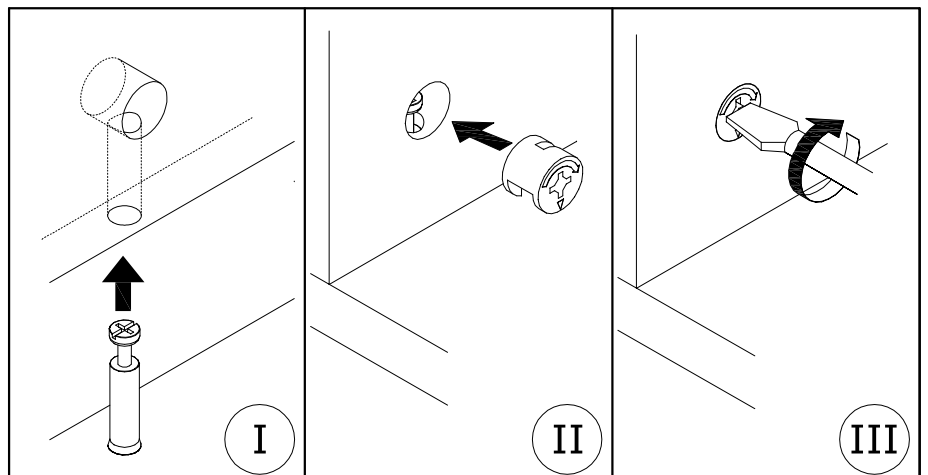
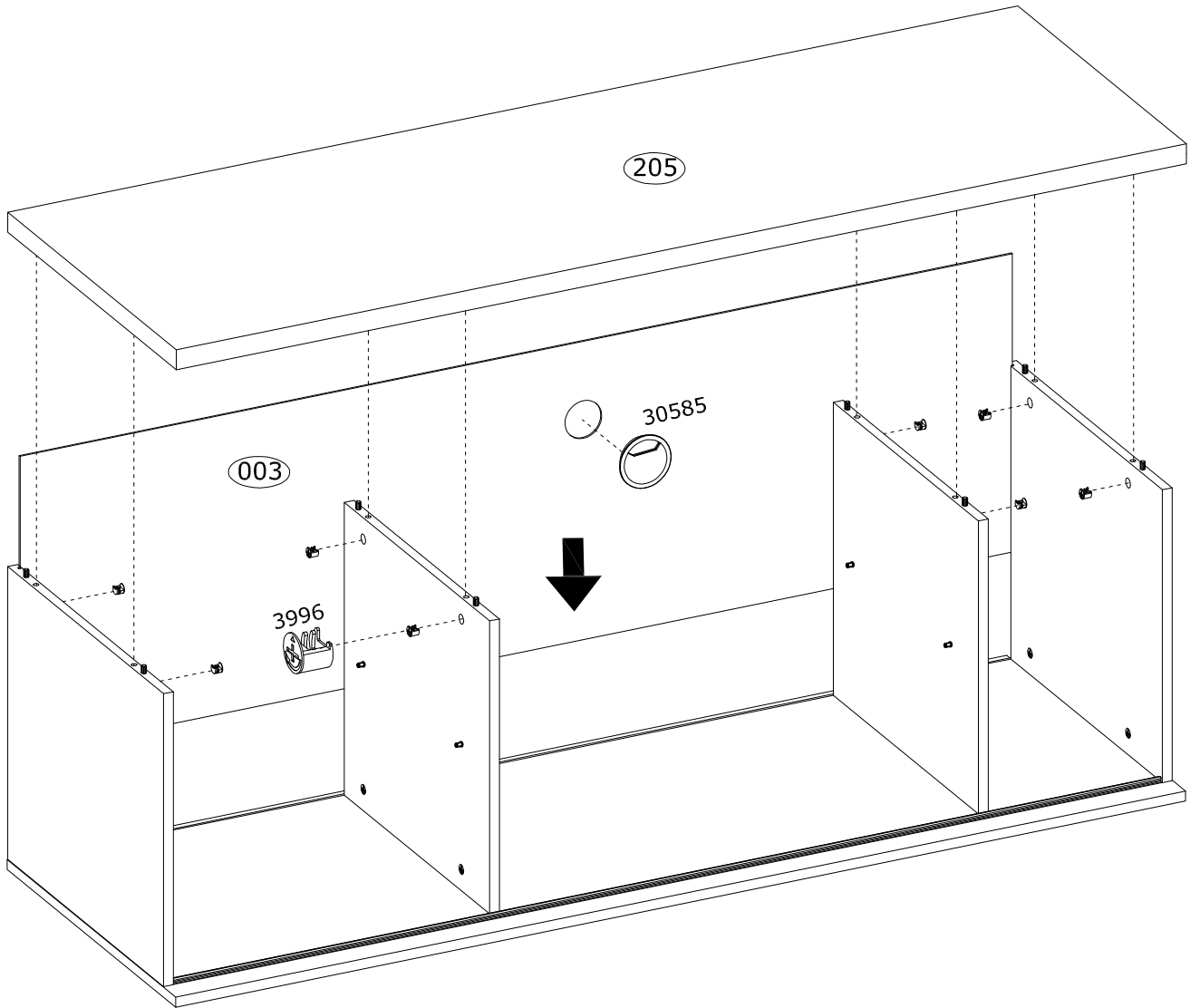
7

<p>3996</p>  <p>x8</p>	
---	---

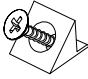


8

<p>3996</p>  <p>x8</p>	<p>30585</p>  <p>x1</p>	
---	--	---

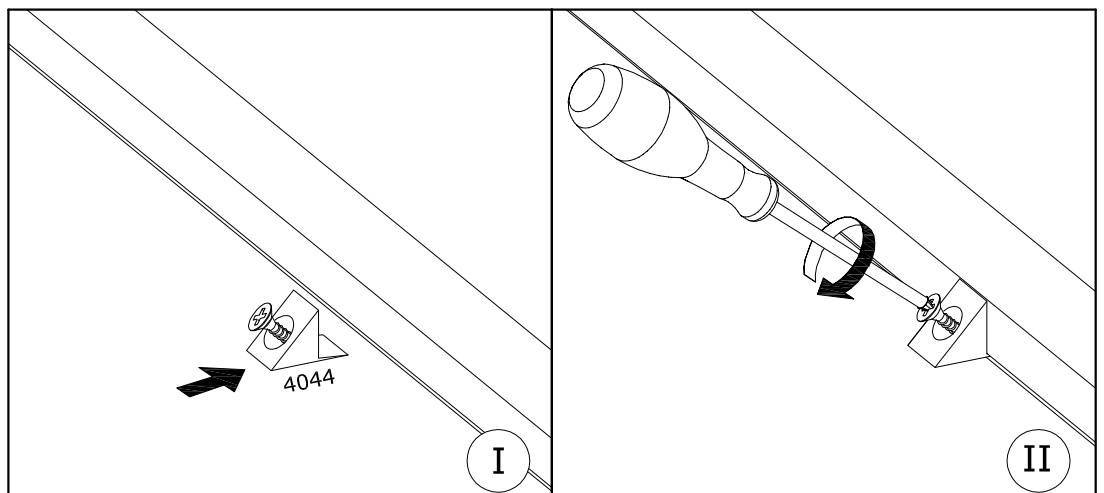
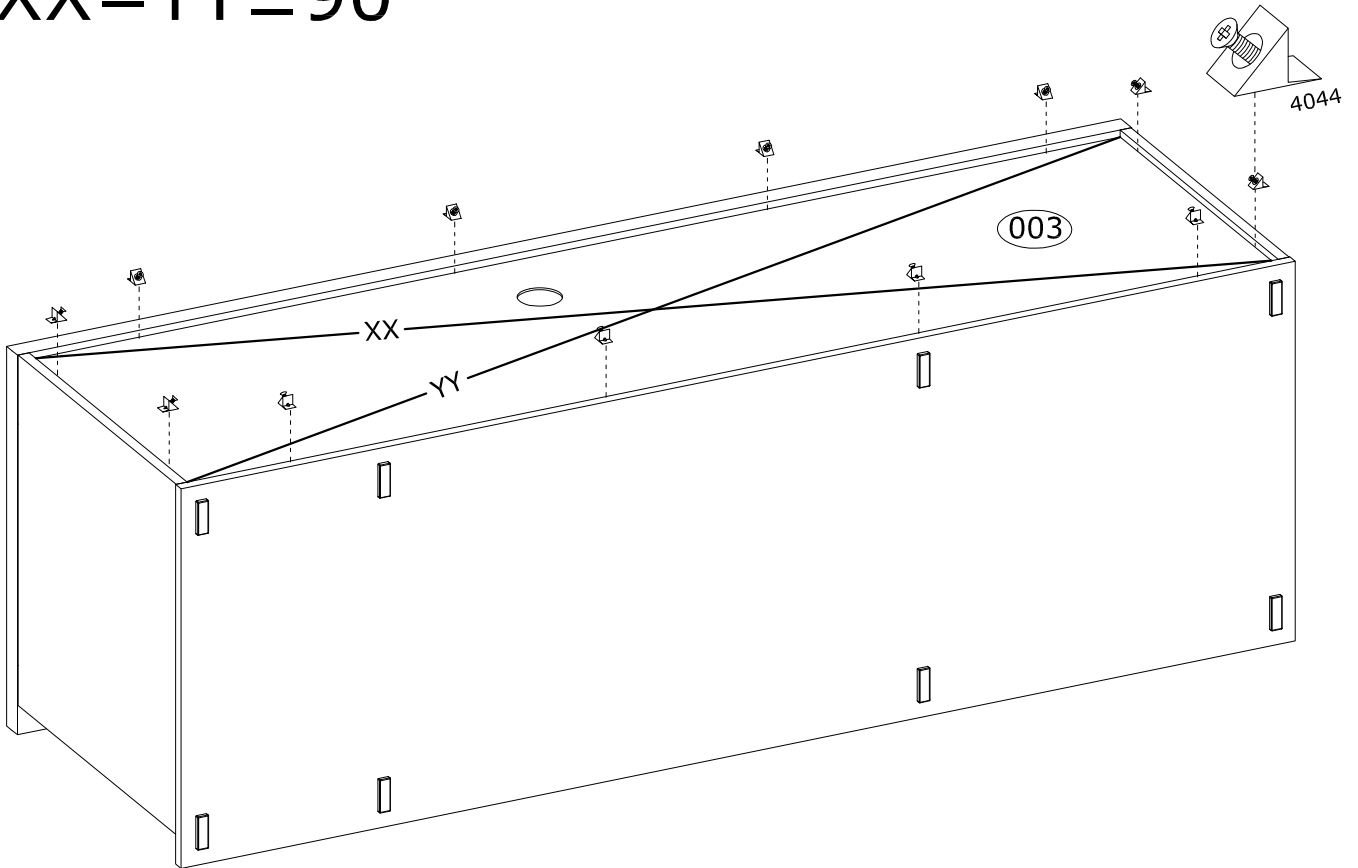


9

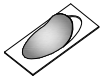
4044  x12	
--	---

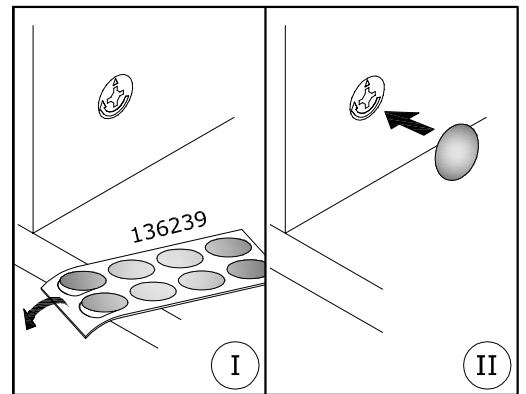
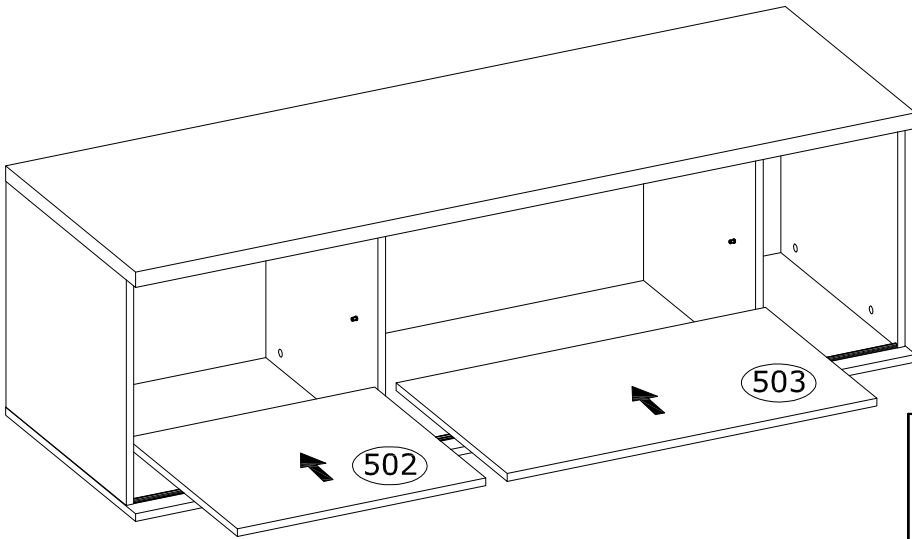


$XX = YY \equiv 90^\circ$


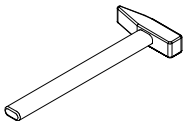


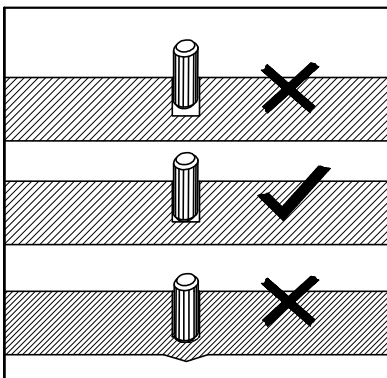
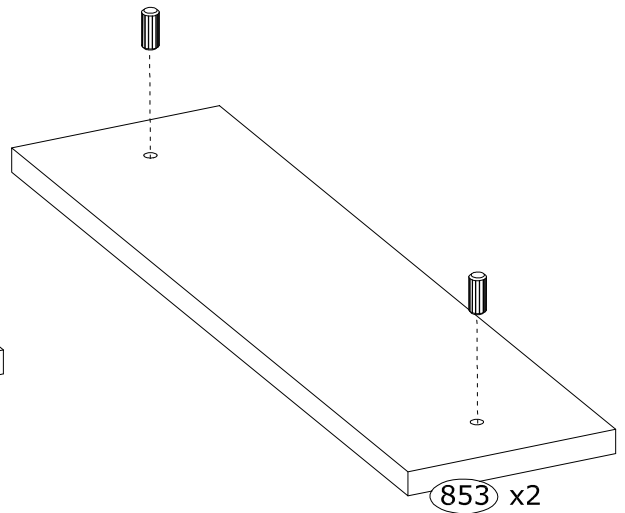
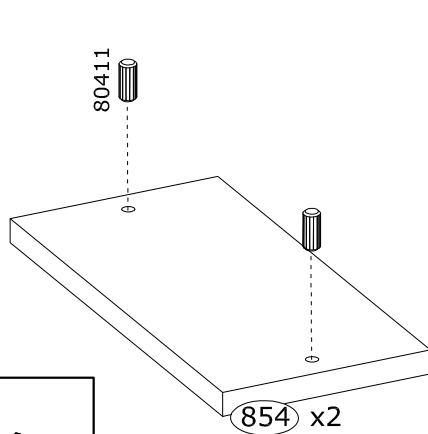
10

136239  x16	
--	--





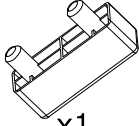
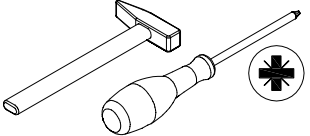



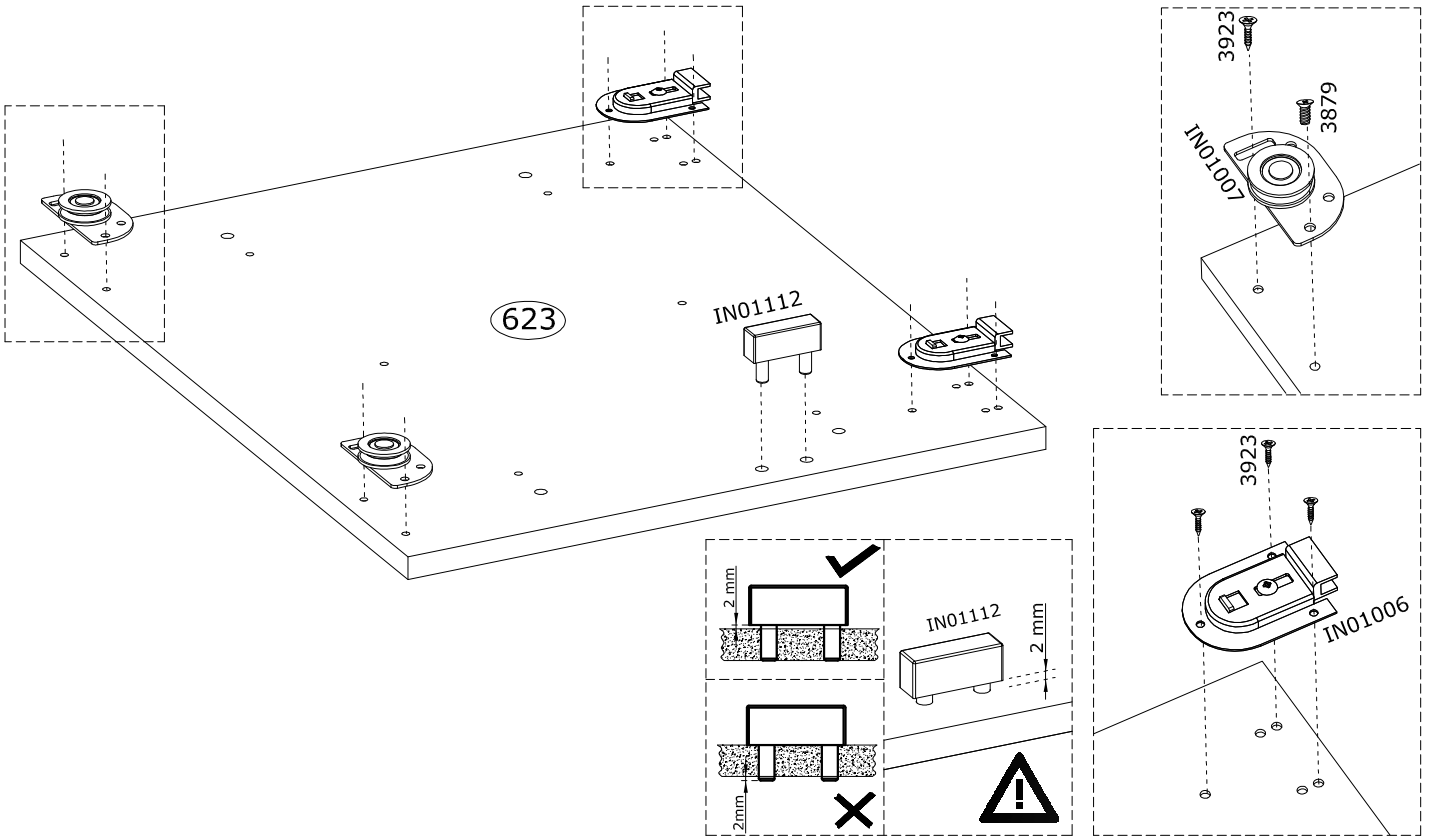
11

80411  x8	
--	---


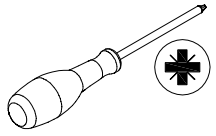



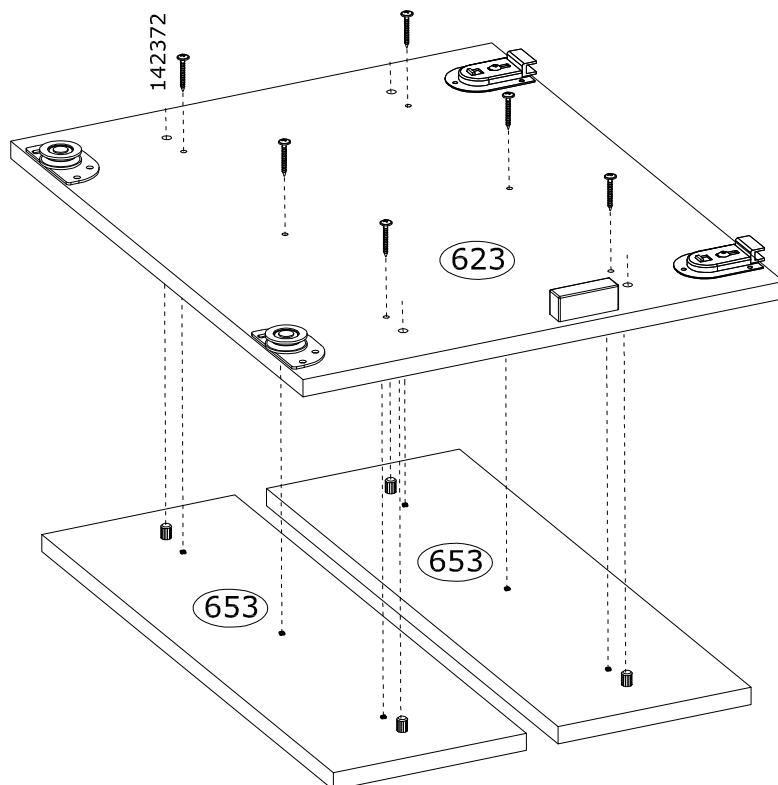
12

3923  x8	3879  x2	IN01007  x2	IN01006  x2	IN01112  x1	 
---	---	--	--	--	---




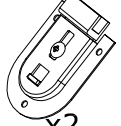
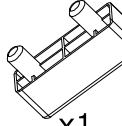
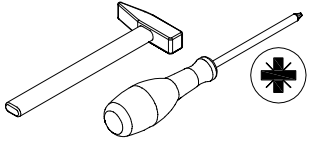


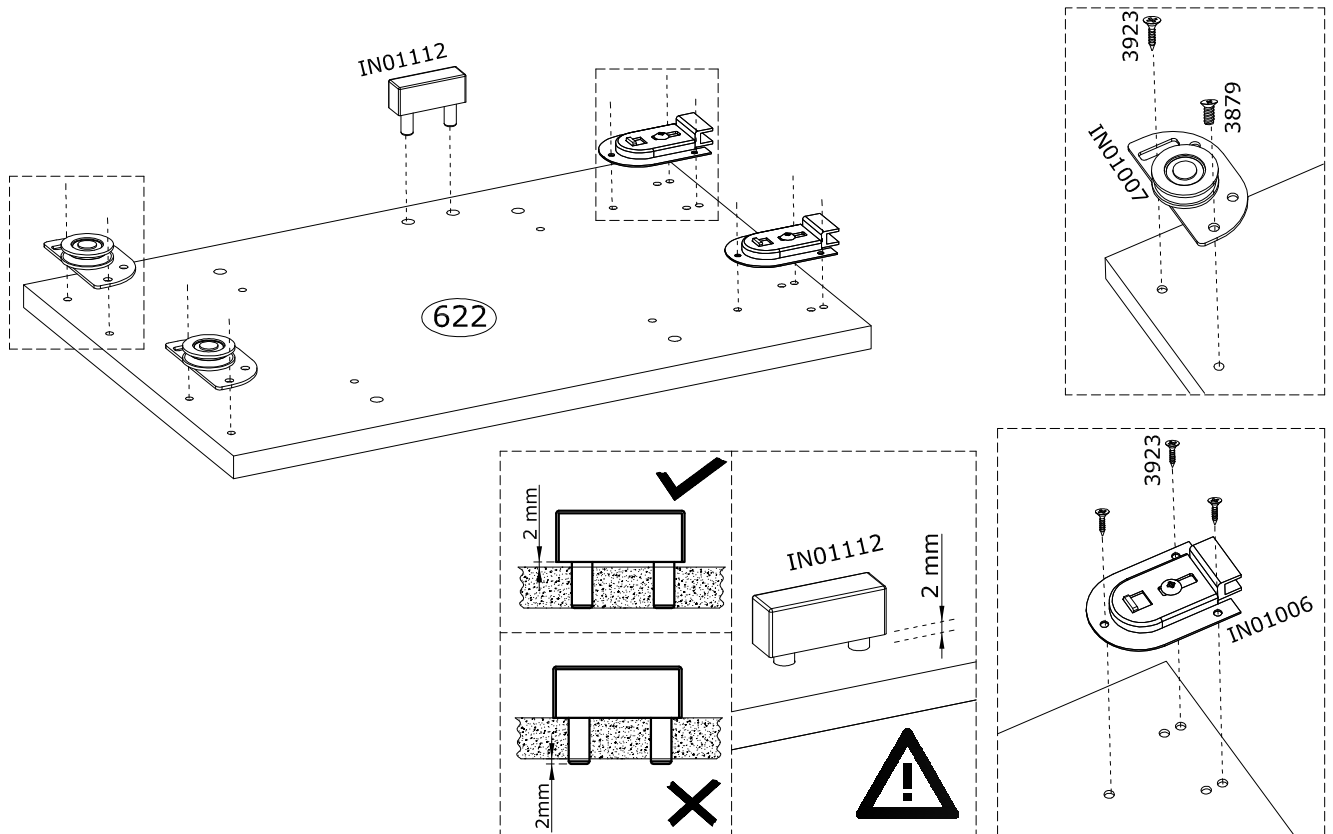
13

142372  x6	 
---	---


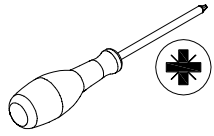


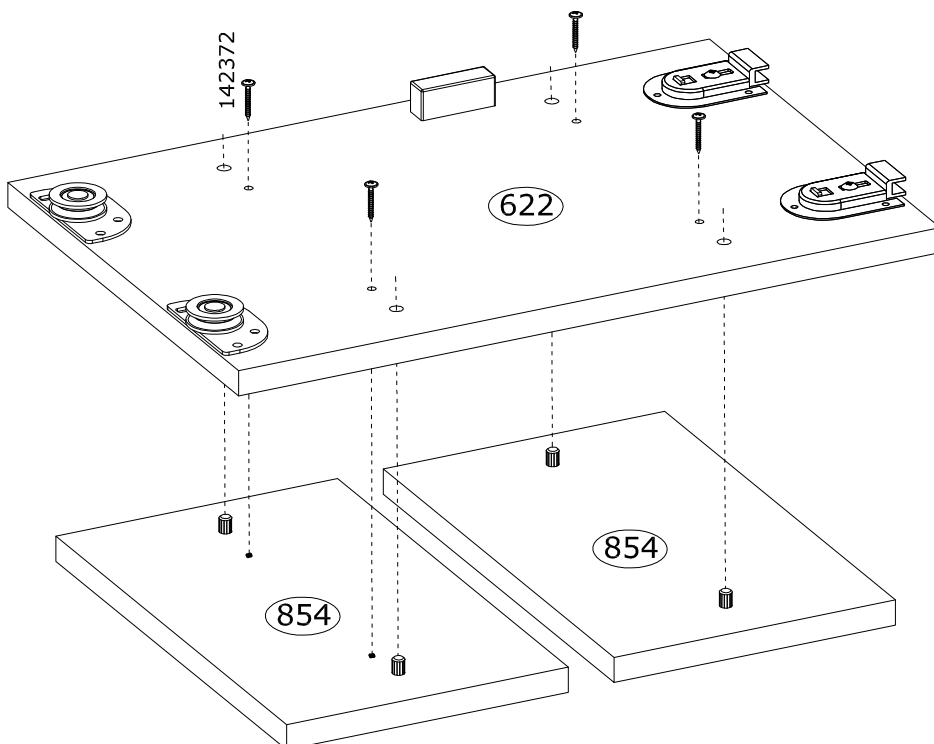
14

3923  x8	3879  x2	IN01007  x2	IN01006  x2	IN01112  x1	
---	---	--	--	--	--

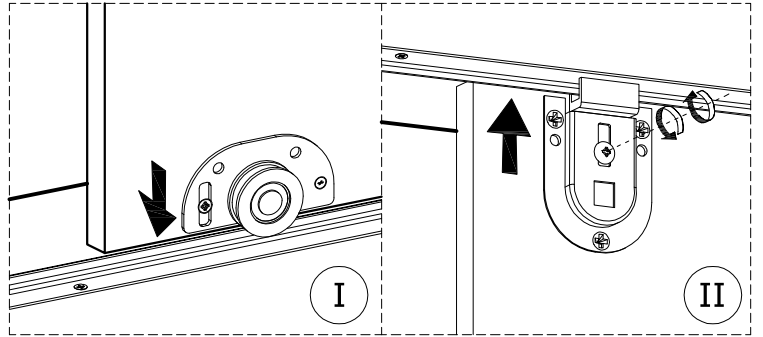
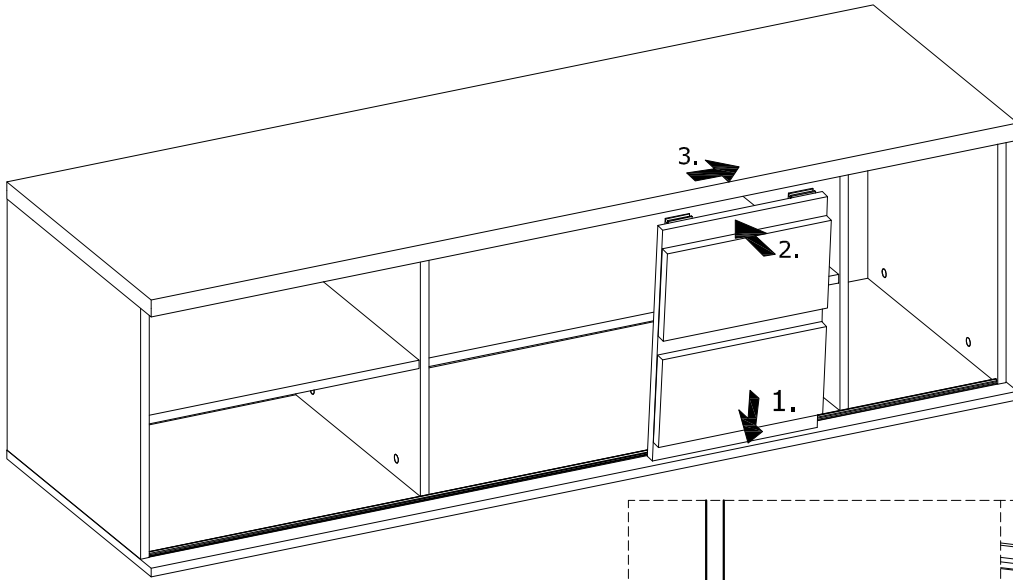
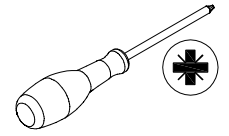


15

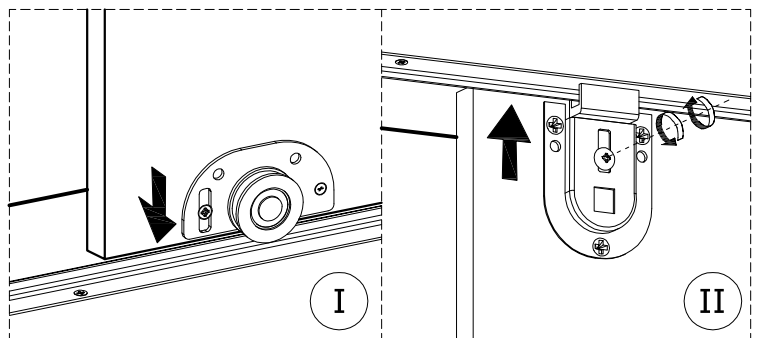
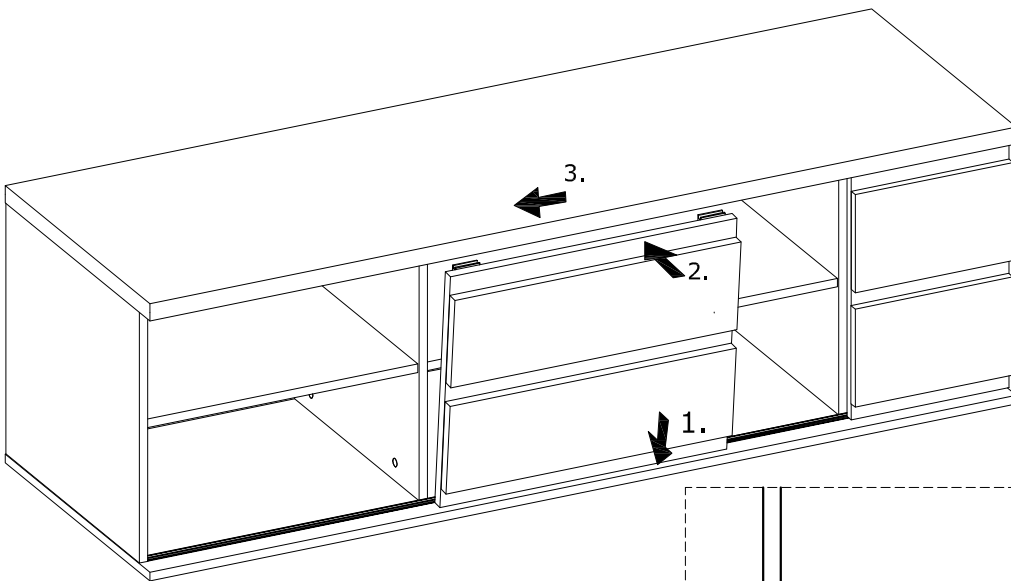
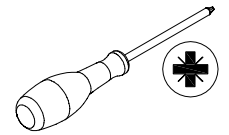
142372  x4		
---	--	---



16



17



18

3923



x8

